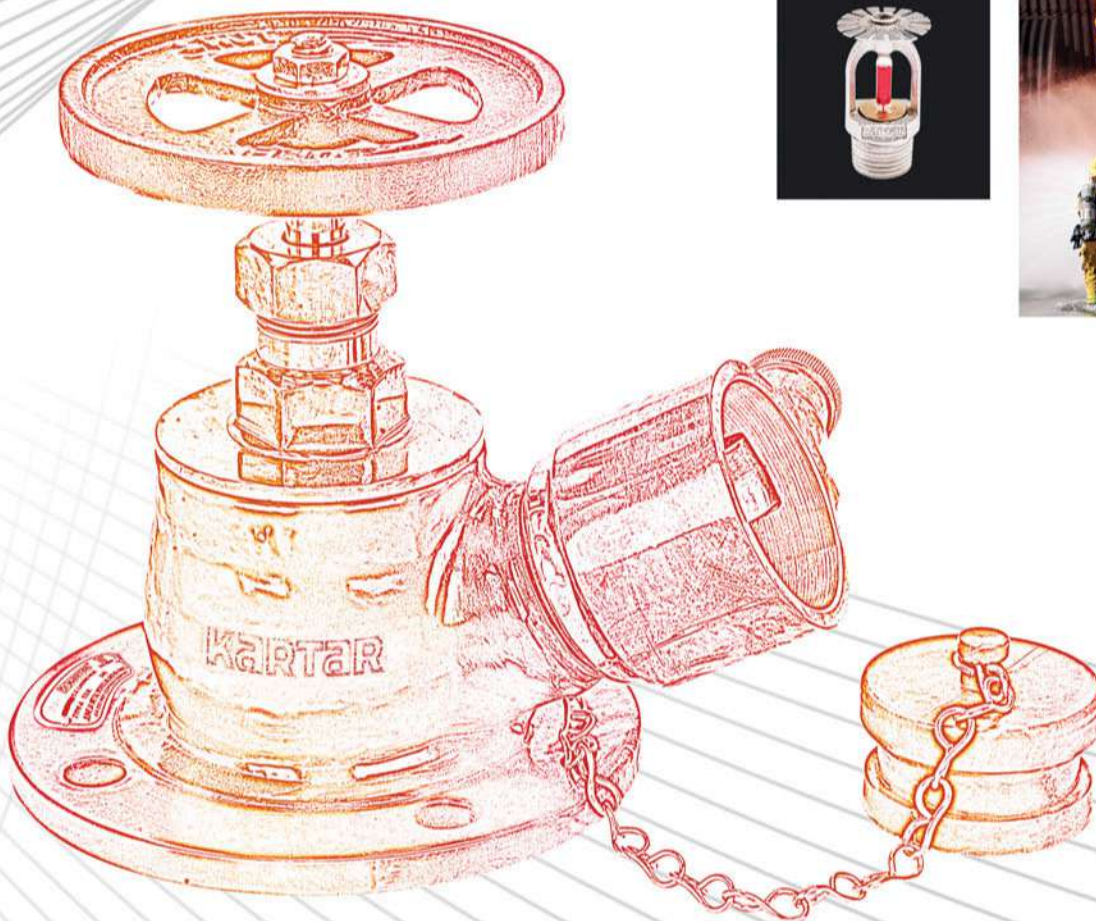
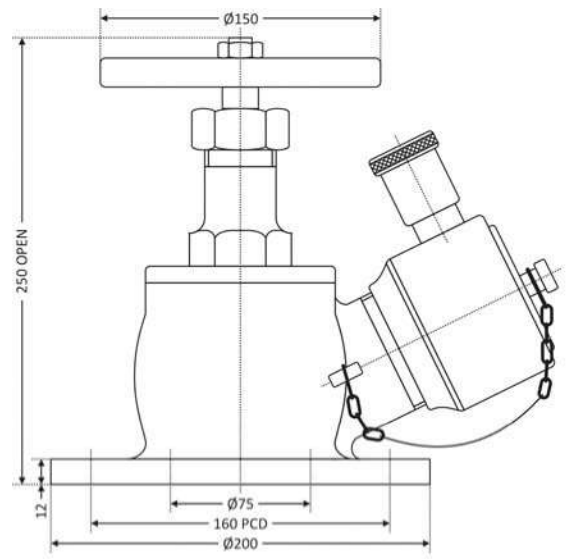


# FIRE FIGHTING PRODUCTS



# single OUTLET

Type	Single Outlet
Design Standard	IS 5290
Certification	IS
Test Pressure	21kg/cm <sup>2</sup>
Material	Bronze (Gun Metal)   Stainless Steel
Size	Inlet : 80mm   Outlet : 65mm

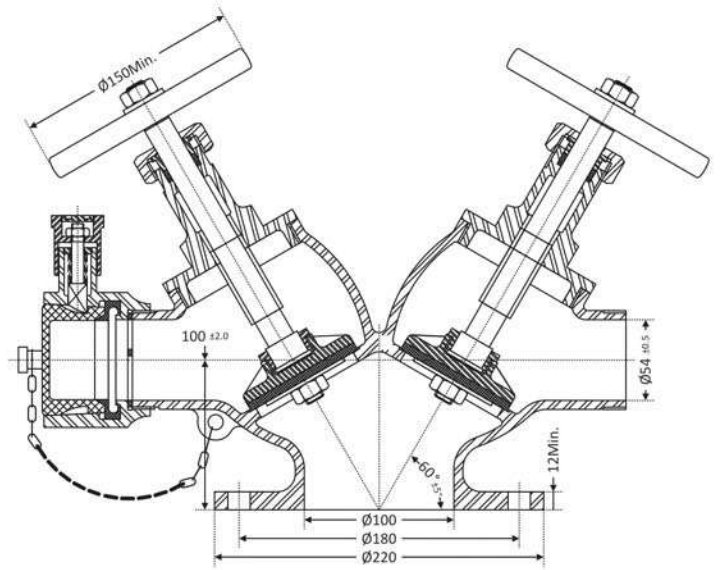


**SINGLE LANDING VALVE K901**



**SINGLE LANDING VALVE K901**

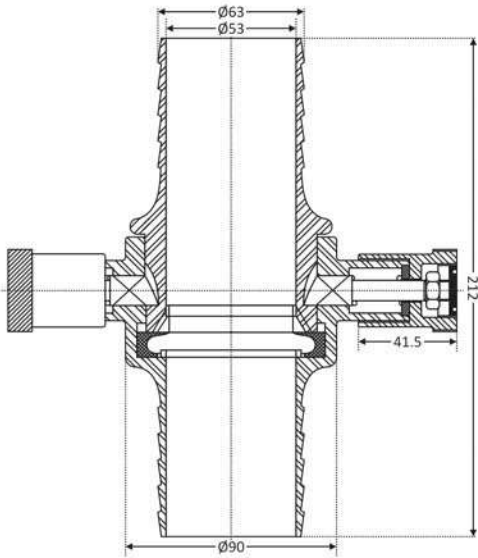
Type	Double Outlet
Design Standard	IS 5290
Certification	IS
Test Pressure	21kg/cm <sup>2</sup>
Material	Bronze (Gun Metal)   Stainless Steel
Size	Inlet : 100mm   Outlet : 65mm x 2



**DOUBLE LANDING VALVE K901-D**

**double  
OUTLET**





Type	Push Type
Design Standard	IS 903
Certification	IS
Test Pressure	21kg/cm <sup>2</sup>
Material	Bronze (Gun Metal)   Stainless Steel
Size	Suitable for 65mm Fire Hose



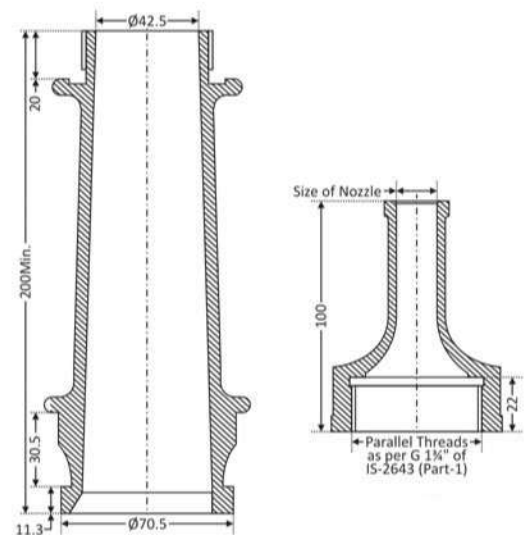
**HOSE COUPLING K902**

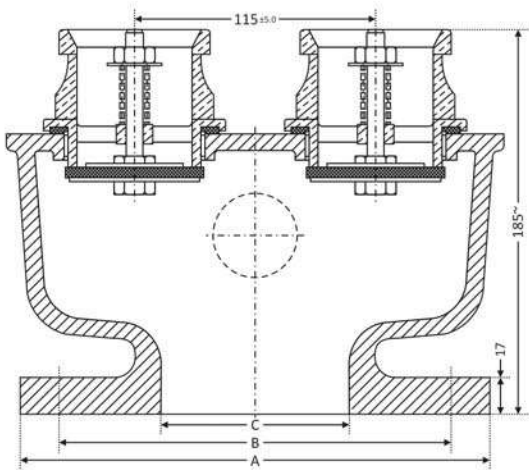
**KARTAR**  
**BRANCH PIPE**  
WITH NOZZLE



**BRANCH PIPE K903**

Type	Push Type
Design Standard	IS 903
Certification	IS
Test Pressure	21kg/cm <sup>2</sup>
Material	Bronze (Gun Metal)   Stainless Steel
Size	Inlet portion is 65mm & Outlet available in 15, 20 & 25mm





Type	2way   3way   4way
Design Standard	IS 904
Test Pressure	21kg/cm <sup>2</sup>
Material	Body : Bronze (Gun Metal)   Cast Iron Check Valve : Bronze (Gun Metal)   Stainless Steel
Size	2 & 3way have 100mm Flange & 4way have 150mm Flange

**FLANGE DIMENSIONAL**

Type	Flange OD (A)	PCD (B)	ID   BORE (C)	Holes Dia x No.
2way	220	180	88	Ø19 x 8
3way	220	180	88	Ø19 x 8
4way	285	240	127	Ø23 x 8



**2 WAY K910-2**



**3 WAY K910-3**



**4 WAY K910-4G**

Design Standard	As per IS 904
Material	Bronze (Gun Metal)   Stainless Steel
Size	50 & 63mm



**K910-CV**

## FORGED BRASS SERIES



**K908 PENDANT**



**K908 UPRIGHT**



**K908 SIDEWALL**



**K908 CONCEALED**

## STAINLESS STEEL SERIES



**K908-S PENDENT**

### OPEN FIRE SPRINKLERS

Size : DN15 (1/2")

Type	Upright   Pendent   Sidewall   Concealed
Bulb Nominal Dia & Response	Standard Response - 5mm   Quick Response - 3mm
Thread Size	NPT 1/2" or R 1/2"
Nominal Orifice Size	1/2"
Nominal K-factor	5.6 (U.S.)   80 (Metric)
Max. Working Pressure	175Psig   1.2Mpa (12 Bar)
Factory Hydrostatic Test	100% @ 500Psig   1.2Mpa (34 Bar)
Min. Operating Pressure	7Psig   0.048Mpa (0.48)
Sprinkler Finish	Natural Brass   Stainless Steel
	Chrome Plated   White Color Coated
Listings and Approvals	ISO 9001:2000

### AVAILABLE TEMPERATURE RATING & COLOR CODES

Nominal Temp. Rating	135°F / 48°C   155°F / 68°C   175°F / 79°C   200°F / 93°C
Glass Bulb Color	Orange   Red   Yellow   Green

### SPRINKLERS MATERIALS

Frame	Bronze Forging   Stainless Steel
Deflector	Brass   Stainless Steel
Glass Bulb	Glass with Glycerin Solution, Job® or Equivalent
Set Screw	Brass
Button	Brass
Spring (Optional)	Stainless Steel
Standard Escutcheon	Cold Rolled Steel

### INSTALLATION INFORMATION\*

Spacing	12 x 12'   3.7 x 3.7m
Min. Flow	8gpm   30l/m
Density	0.55gpm/ft²   2.24mm/min

\* This is just for reference. Final advice should be taken from your fire consultant.



**FLEXIDROP K915**

**MATERIAL**

Connector	Stainless Steel
Plate	SPCC / Stainless Steel
Tube	Stainless Steel
Seal Ring	Stainless Steel
Bellow	Stainless Steel
Wise Braids	Stainless Steel
Nipple	Stainless Steel

**SPECIFICATIONS**

Model	K915-700   K915-1000   K915-1200   K915-1500   K915-1800				
Size (NPT/in)	1/2	1/2	1/2	1/2	1/2
Length (in/mm)	28/700	40/1000	48/1200	60/1500	70/1800
Bending (Quality)	2	4	4	4	4

Min. Bending Radius	150mm
Test Pressure	21 kg/cm <sup>2</sup>
Bursting Pressure	96 kg/cm <sup>2</sup>
Trade Mark	Ehase - Flex or Equivalent
Certification	UL Approved



**HOSE K909-RRL**

Type	Type A
Design Standard	IS 636
Certification	IS
Test Pressure	21kg/cm <sup>2</sup>
Material	Cotton Hose with Rubber   PVC Coating Inside
Size	63mm in 15 & 30m length



**HOSE K909-CP**

Type	CP
Design Standard	IS 8423
Certification	IS
Test Pressure	21kg/cm <sup>2</sup>
Material	Cotton or Synthetic material or their combination
Size	63mm in 15 & 30m length

**KARTAR  
FIRE HOSE REEL DRUM  
WITH HOSE**



**TPHOSE K913-H**



**DRUM K912-D**



**HOSE REEL DRUM K912-ALL**

Type	Type 1
Design Standard	IS 12585
Certification	IS
Test Pressure	10.2kg/cm <sup>2</sup>
Material	Thermoplastic Hybrid Compound
Size	20mm x 30m length & 25mm x 30m length

Type	Fixed and Swing Arm Type
Design Standard	IS 884
Test Pressure	21kg/cm <sup>2</sup>
Material	MS Frame with Rubber   Plastic Hose
Size	3/4" (20mm) x 30m length & 1" (25mm) x 30m length (Complete Drum)





**HOSE BOX K918-D**



**HOSE BOX K918-S1**

Model & Design	K 918-D (Double Door)	K 918-S1 (Single Door)	K 918-S2 (Single Door)
Application	For 2 sets of 15m Hose with coupling	For 1 set of 15m Hose with coupling	For 1 set of 30m Hose with coupling
Dimensions in mm (WxLxD)	600x750x250	450x450x250	450x450x250
Material	MS Sheet + Glass	MS Sheet + Glass	MS Sheet + Glass

Design Standard	As per IS 8442
Material	Body : M.S Seamless Pipes Hot Dip Galvanized
	Swivel Joint : Bronze
	Handle Bar : Mild Steel
Finish	Fire Red Painted
	360° in Horizontal plane
Maneuverability	+90° & -45° in Vertical plane
	Test Pressure



**WATER MONITOR K911**

Type	Self Operative
Material	Body : Gun Metal
	Float : Rubber
Size	25mm
Test Pressure	16kg/cm <sup>2</sup>



**AIR RELEASE VALVE K904**



**SIGHT GLASS K905**

Type	Self Operative
Material	Gun Metal + Glass
Size	25 & 50mm
Test Pressure	16kg/cm <sup>2</sup>

Type	Self Operative
Material	Body : Brass
	Strainer : Stainless Steel
	Float : Plastic
Size	15, 20 & 25mm
Test Pressure	21kg/cm <sup>2</sup>



**AIR VENTS K907**



**SHUT OFF NOZZLE K914-B**

Type	Lever Operative
Material	Ball Valve : Brass
	Nozzle : Brass   Bronze (Gun Metal)
Size	15 & 20mm
Test Pressure	21kg/cm <sup>2</sup>

Type	Self Operative
Material	Red Colored Super Tough Polymer Alloy
Size	20mm
Test Pressure	10kg/cm <sup>2</sup>



**SHUT OFF NOZZLE K914-P**



**FORGED BRASS BALL VALVE K916**  
with Chrome Plating (Full Bore)

Type	Lever Operative
Material	Body : Forged Brass   Chrome Finish Stem : Brass
Size	15, 20, 25, 32, 40 & 50mm
Test Pressure	24kg/cm <sup>2</sup>

Type	Lever Operative
Material	Body : Forged Brass Stem : Stainless Steel   Brass
Size	15, 20 & 25mm
Test Pressure	24kg/cm <sup>2</sup>



**FORGED BRASS BALL VALVE K917**  
(Reduce Bore)



**Alarm Valve**



**Butterfly Valve  
with Supervisory Switch**



**Fire Hydrant  
Fig 1B of IS 909 | BS 750**



**Fire Hydrant Sluice Valve Type  
Fig 1A of IS 909**



**Gate Valve  
with Supervisory Switch**



**Stand Post**

**AUTHORISED DEALER**

