



Building a
Framework
of Excellence

Engineering world-class quality...

Founded in 1980, the GKS Group is a privately held, family-owned organization that was established to meet the emerging needs of the construction industry in the realm of equipment, machinery, tools and instruments. By anticipating infrastructure opportunities and engineering innovations, the company has over the years, added a wide range of products and services under its belt. This has helped develop the GKS Group into one of the leading players in the construction industry today, by setting the benchmark as pioneers in its respective areas of operation.

At GKS, every opportunity is seen as a challenge to innovate and produce better solutions, thus exponentially increasing the value offered to the consumer. The GKS Group has always been a progressive, positive growth organization with a highly motivated workforce and has a consistent reputation for putting quality and excellence first.

Array of Services

Currently, the GKS Group's activities are spread over five distinct divisions:

GKS Industries (GKSI)

The flagship company of the Group, GKS Industries was established in 1980 and deals with the manufacture of steel formwork such as centering, scaffolding and shuttering equipment. GKS products are manufactured to be sturdy in performance, efficient in design, simple & swift in erection while ensuring absolute safety at the project site. The manufacturing facilities, backed by modern machinery, state-of-the-art technology and skilled personnel, conforms to the highest quality standards, giving the user the best cost-benefit ratio.

GKS Associates (GKSA)

GKS Associates was established in 1984 to meet the growing demand for formwork equipment on hire. As a true testament to the Group's visionary outlook, GKSA has grown many folds over the years and is today, one of South India's largest stockists of well-maintained formwork available for use on rental basis.

GKS Marketing Agencies (GKSMA)

With a view to further broaden the product portfolio & diversify into other spheres of activity, the GKS Group set up GKS Marketing Agencies in 1987 to satisfy the untapped potential in the supply of quality survey instruments and gauges. GKSMA is the sole distributor in the south for PIE Rookie, India.

GKS Ready Made Steel Pvt. Ltd. (GKS RMS)

Another milestone reaffirming GKS' progressive and innovative culture is the Group's foray into the rebar prefabrication business. One of only 10 plants currently in operation pan-India, GKS RMS will eliminate problems arising from the manual cutting and bending of rebars at site. GKS RMS enables Just In Time (JIT) delivery of reinforcement steel to the site, pre-cut and bent as per the specifications of the structural Bar Bending Schedule (BBS).

Avant-Garde Properties

Most recently, to further increase the value proposition offered to its customers, the GKS Group launched "Avant-Garde Properties" with a vision to provide affordable, high quality homes to the people of Chennai & its surroundings.



GKS Floor-Forms

GKS Floor-forms are manufactured out of 14 gauge HR Sheets (2 mm THICK) with press-folded flanges and stiffeners. Gussets & angles are welded onto the corners in order to maintain squareness of the edges even after considerable usage. The overall design ensures high rigidity and strength to weight ratio.

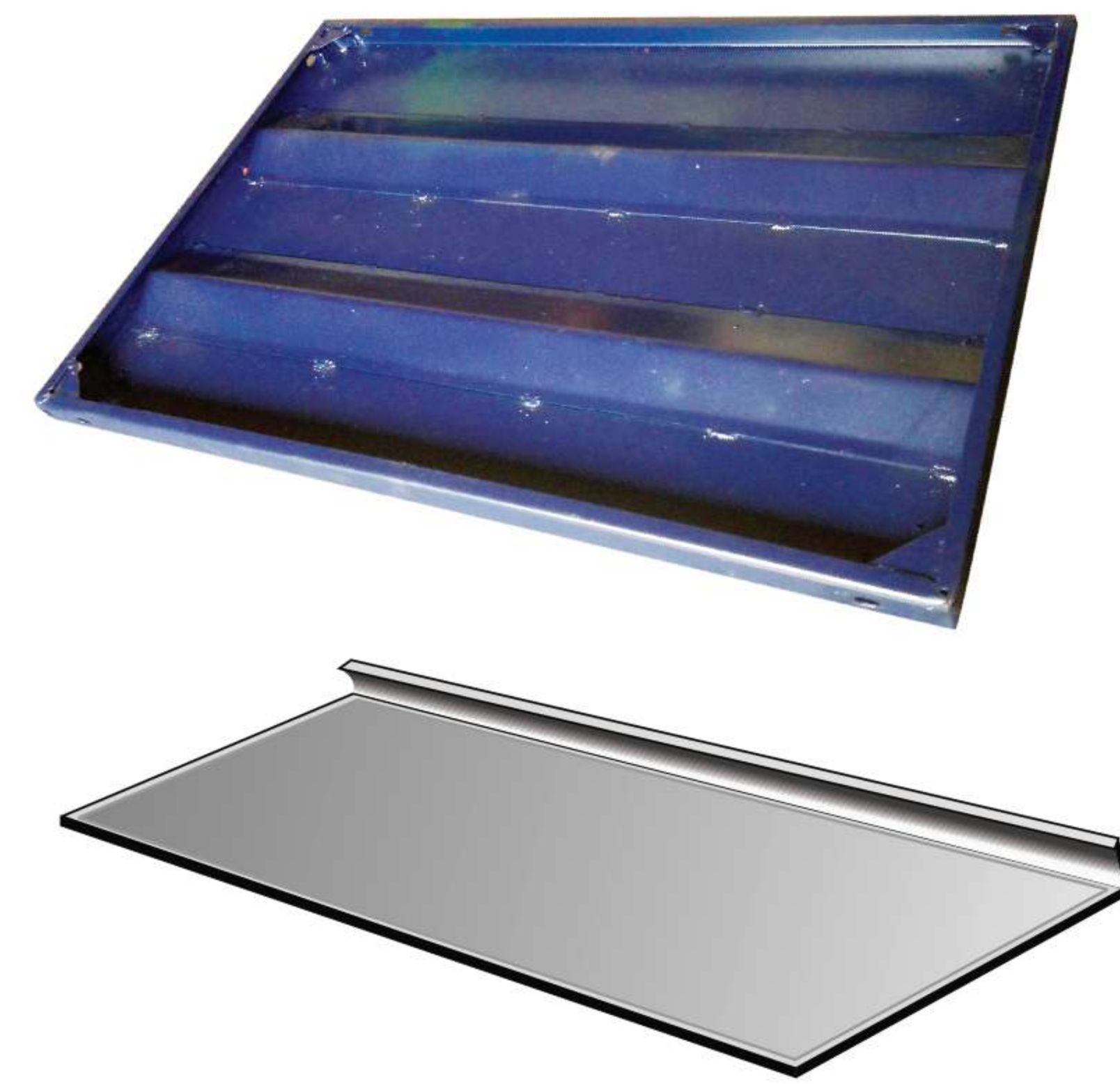
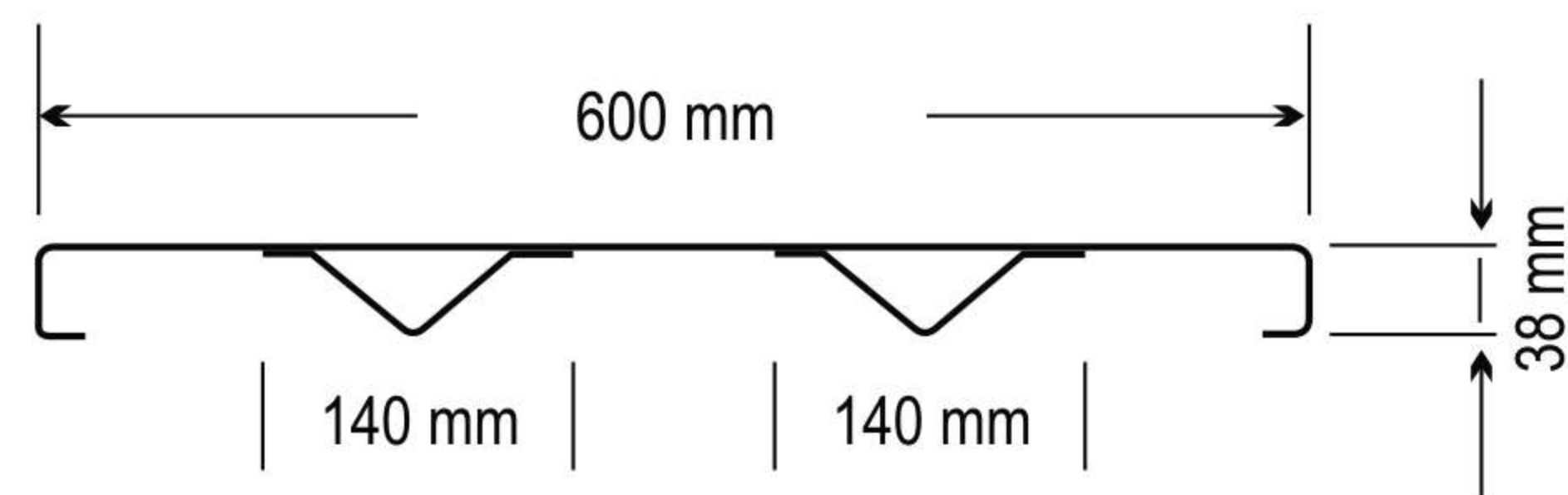
GKS Floor-forms are manufactured to convenient standard sizes that almost always meet the requirements of the project sites.

Non-standard floor-form sizes & different HR sheet thicknesses for heavy-duty & light-duty applications can be offered on request.

GKS Adjuster Floor-forms are recommended to fill up gaps in the slab centering, thus eliminating the need for timber altogether.

Standard Adjusters are made in widths of 375 mm and lengths of 1150 mm, 900 mm, 800 mm & 600 mm.

- Ideal for slab shuttering
- Cuts labour costs
- Gives excellent concrete finish
- Speeds up work
- Light weight yet rigid & strong
- Easy maintenance
- Eliminates repetitive investment on plywood



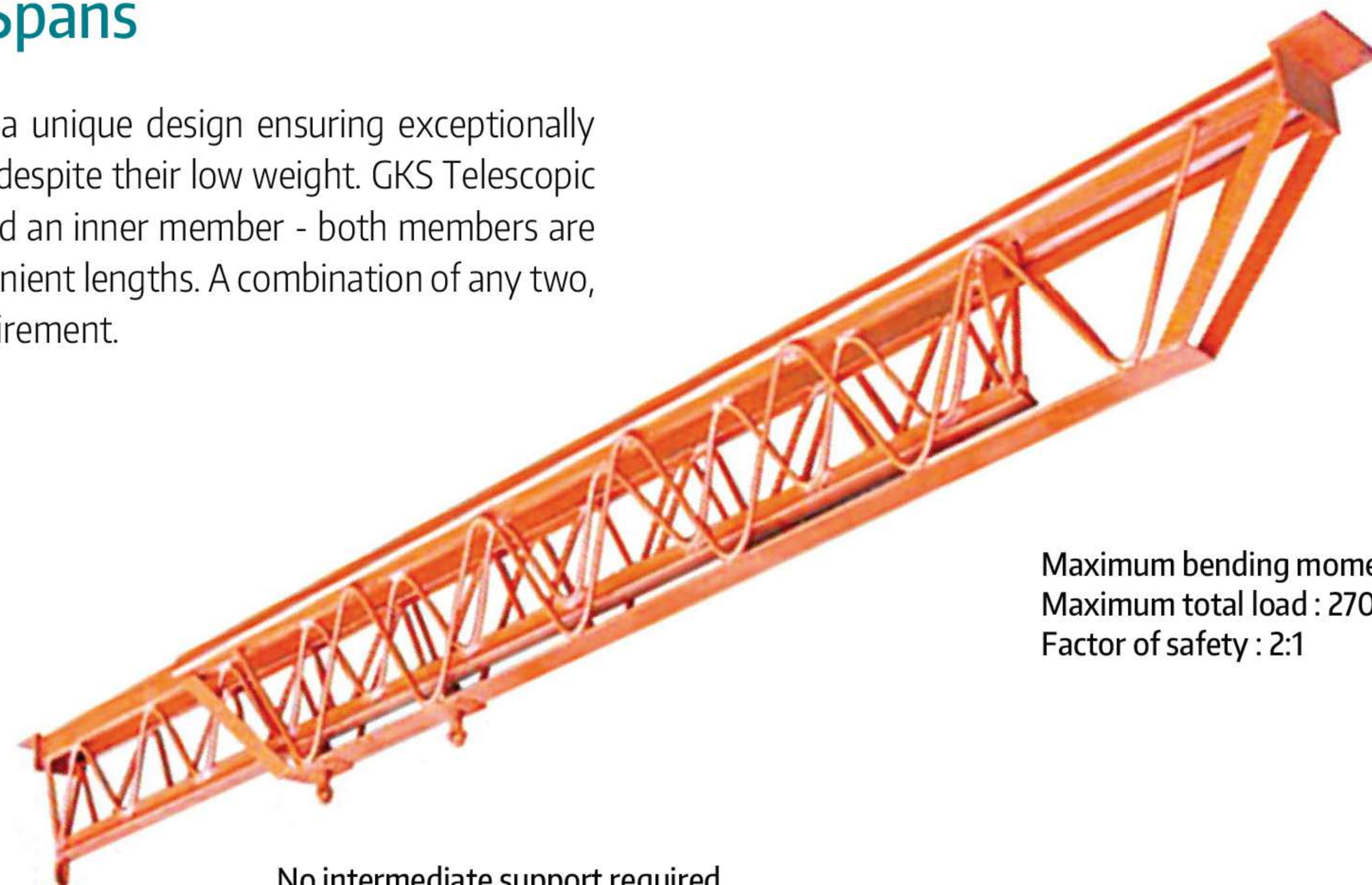
Product Code	Size (mm)	Span (mm)	Max. Slab Thickness (mm)
FF001	1150 x 600	1150	300
FF002	1000 x 600	1000	350
FF003	900 x 600	900	400
FF004	800 x 600	800	400

Product Code	Size (mm)
FFA01	1150 x 375
FFA02	900 x 375
FFA03	800 x 375
FFA04	600 x 375

*Other sizes can be offered on request

GKS Telescopic Spans

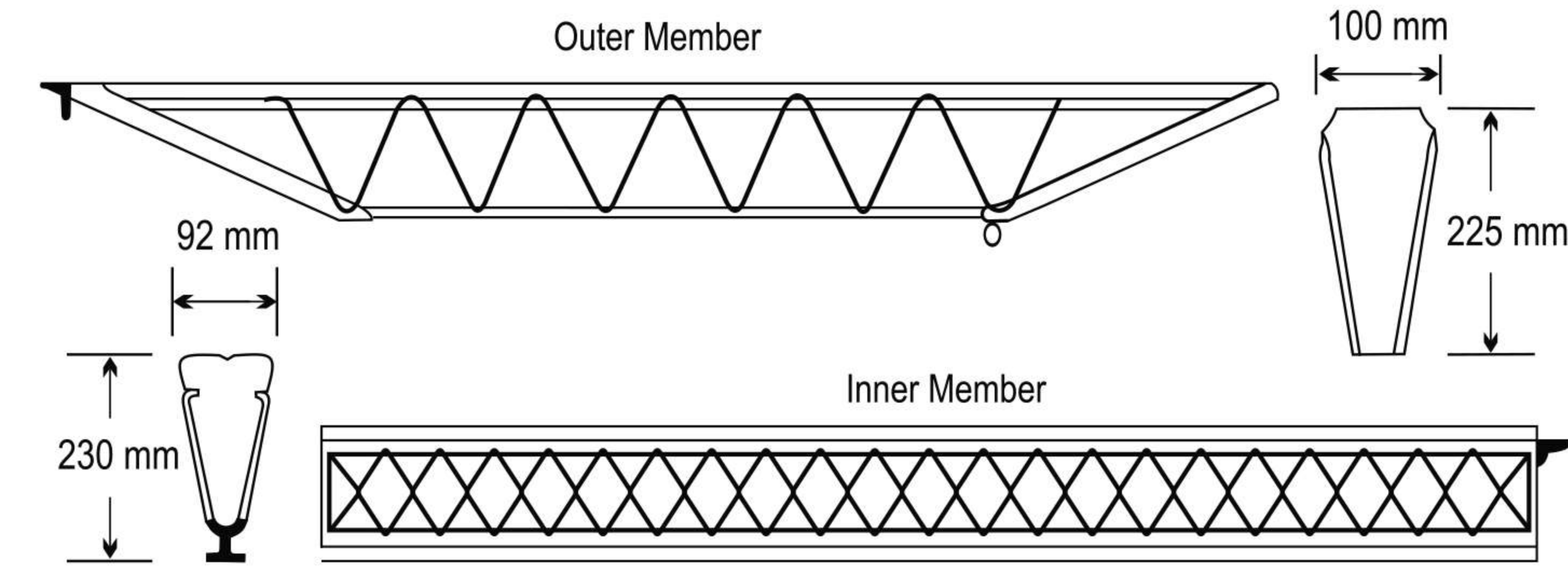
GKS Telescopic Spans have a unique design ensuring exceptionally high load bearing capacities despite their low weight. GKS Telescopic Spans consist of an outer and an inner member - both members are manufactured in three convenient lengths. A combination of any two, will always meet the site requirement.



Maximum bending moment: 1040 kg.m.
Maximum total load : 2700 kg.
Factor of safety : 2:1

No intermediate support required

Two Basic Components



Outer and Inner Members (length & Weight)			
Extra short outer	ESO	1580mm	13.00 kg
Short outer	SO	2490 mm	24.00 kg
Long outer	LO	3000 mm	28.00 kg
Extra short inner	ESI	1730 mm	18.00 kg
Short inner	SI	2500 mm	25.00 kg
Long inner	LI	3100 mm	33.00 kg



Some typical examples of minimum and maximum spans obtainable with various combinations of member components

Product Code	Item	Minimum Span (mm)	Maximum Span (mm)
TS001	LO/LI	3200	5500
TS002	SO/LI	3200	5000
TS003	LO/SI	3050	4850
TS004	SO/SI	2550	4350
TS005	SO/ESI	2500	3600
TS006	ESO/ESI	1750	2700

- Exceptionally high load bearing capacity despite its low weight
- Gives maximum safety with minimum supervision
- Eliminates repetitive investment through cutting and wastage of timber
- Withstands rough site handling
- No intermediate vertical shoring - free access below
- Assured load bearing capacity
- Compact for storage and transport

Loading Table - A Ready Reckoner to determine the recommended spacing between GKS Spans based on slab thickness and span length.

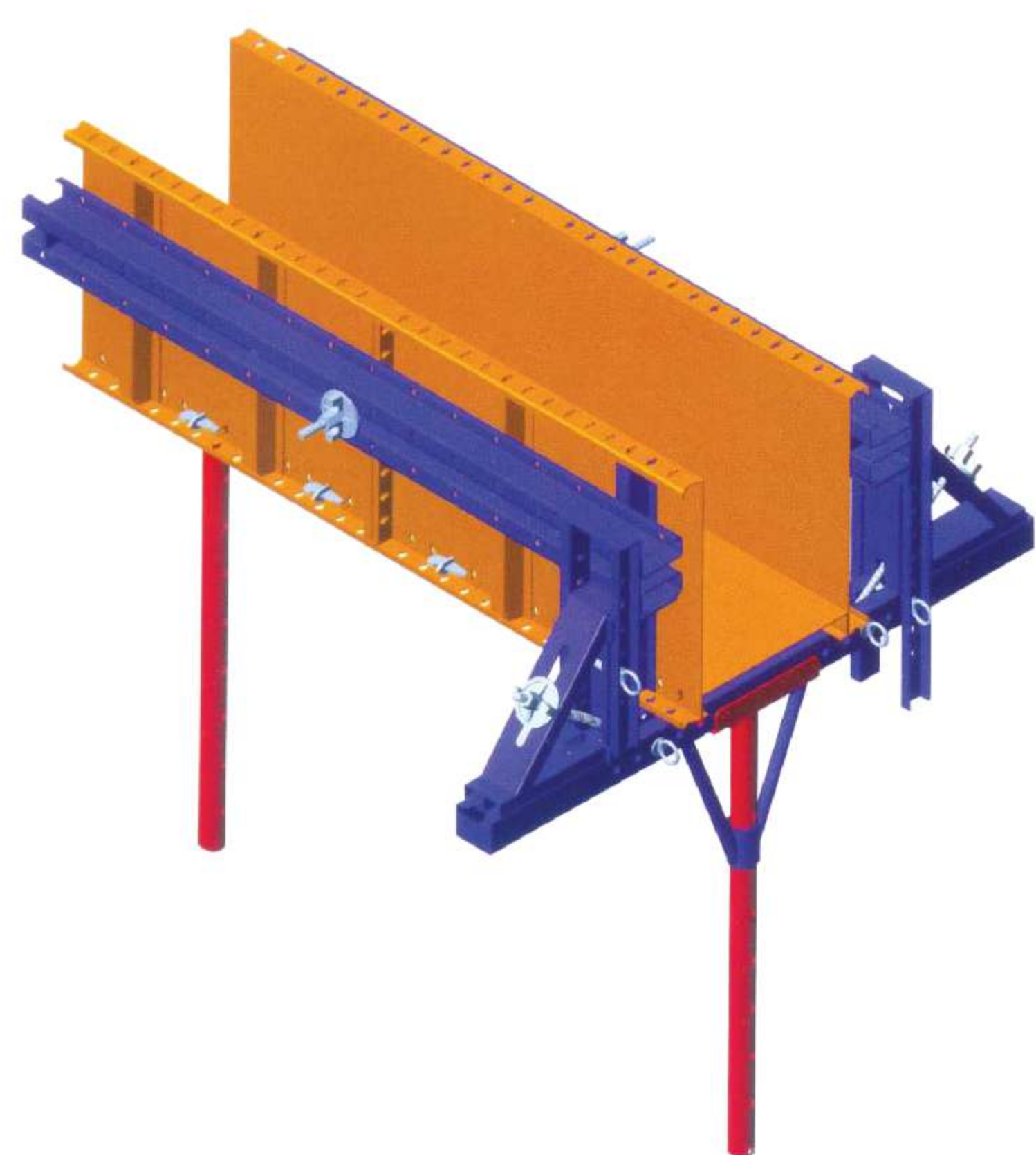
Slab Thickness	Total load including Slab 2400 kg/cu M+ live 250 kg/sq/M+ Shuttering 70 kg/sq/M.	Permissible Clear Spans for Centre Line Spacing					
		300 mm	450 mm	600 mm	800 mm	900 mm	1150 mm
100	560	8050	6550	5690	5000	4650	4010
115	596	7800	6400	5510	4750	4470	3890
125	620	7570	6200	5330	4650	4340	3760
140	656	7310	5970	5160	4500	4190	3639
150	680	7110	5790	5000	4350	4000	3560
165	716	6880	5660	4870	4250	3960	3430
180	752	6730	5490	4750	4100	3890	3350
190	776	6550	5360	4620	4050	3780	3280
200	800	6400	5230	4520	3950	3680	3200
225	860	6150	5000	4340	3800	3530	3070
250	920	5920	4830	4140	3650	3380	2840
275	980	5660	4650	4010	3500	3280	2640
300	1040	5490	4490	3730	3400	3150	2490

Check List

- Before using old GKS spans, check all welds for soundness
- Make sure the locking screw is tightened properly
- Make sure bearer plates are resting firmly on the support
- Ensure that the runners supporting GKS span bearer plates are adequately strong and transfer loads to the supporting props

For a given slab thickness, one can fix the spacing between GKS spans and determine the maximum clear span, as in example:

Example
 Slab thickness 125 mm
 Required spacing 1150 mm
 Permissible clear span 3760 mm



GKS Heavy Duty adjustable steel props are manufactured out of Dia. 50 NB and Dia. 40 NB ERW pipes of "C" Class thickness conforming to IS: 1161 Grade YST 22.

The threaded portion of GKS Beam Props is formed using a state of the art "Thread-Rolling" facility. This unique manufacturing method ensures 100% interchangeability between the threaded pipes and the SG cast-iron nuts. Added to this, rolled threads are known to be much stronger and have better wear resistance & surface hardness ensuring a longer life-span of GKS props at projects.

GKS Heavy Duty Beam Props are manufactured to convenient standard sizes that are usable for a wide range of slab heights. Non-standard sizes as well as props made out of "B" Class pipes can be offered on request.



Product Code	Size	Height Closed (mm)	Height Extended (mm)	Safe Axial Load Closed (kg)	Safe Axial Load Extended (kg)	Net Weight Beam Head (kg)
BP001	X0	1050	1800	3500	3000	14.00
BP002	X1	1750	3120	3200	2300	20.00
BP003	X2	2150	3250	3100	2200	23.00
BP004	X23	2150	3750	3000	2100	24.00
BP005	X3	2350	3960	2900	2000	25.00
BP006	X4	3200	4870	2300	1150	29.00

Prop Accessories



Prop



Heavy Duty Prop Sleeve



Heavy Duty Prop Nut



Prop Hook



Prop Tripod

GKS Fixed Prop Extenders

For slab heights ranging from 5 - 6 meters, the use of conventional standard prop sizes is most often not possible.

In such cases, GKS Fixed Prop Extenders coupled with standard GKS Beam Props serve as an ideal solution to meet the additional height. In such arrangements however, provision of brazing in both directions is essential to ensure safe transfer of loads up to 2MT.



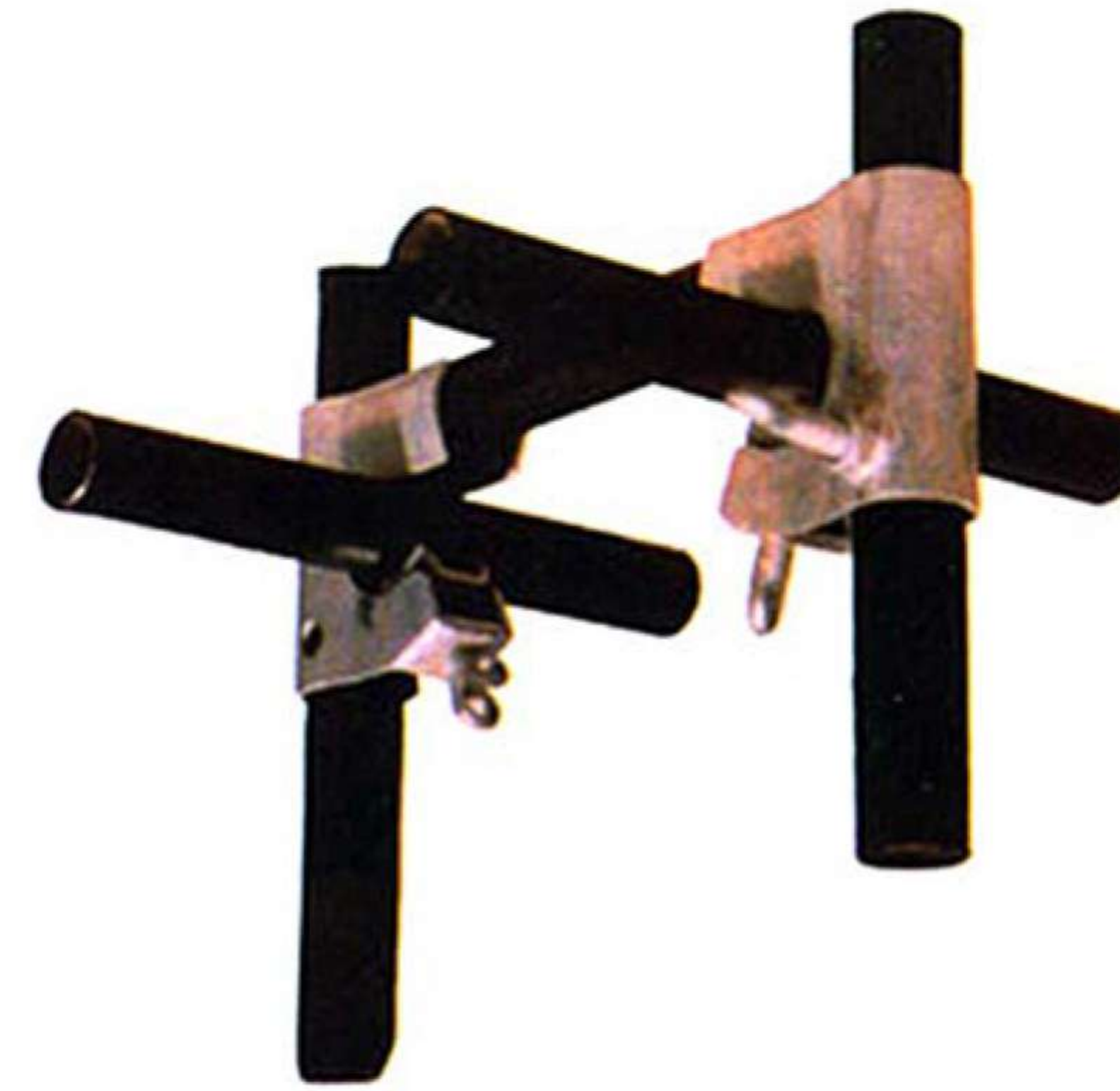
GKS All Purpose Scaffolding

GKS All Purpose Scaffolding Units (APS Units) consist of two verticals and one horizontal cross bar, both manufactured out of Dia. 40 NB 'B' class ERW pipes. The sockets for vertical buildup of APS Units are made out of Dia. 50 NB 'B' class ERW pipes conforming to IS 1161 Grade YST 22.

The unique feature of GKS APS Units is the provision of lugs, welded at 500 mm centres, which provide the necessary flexibility required to achieve any convenient height when used as access scaffolding. The Lugs also provide positive support to the horizontal cross bars.

Horizontal cross bars are designed with unique three-way coupling clamps welded at both ends to clamp the ledger pipes connecting the units.

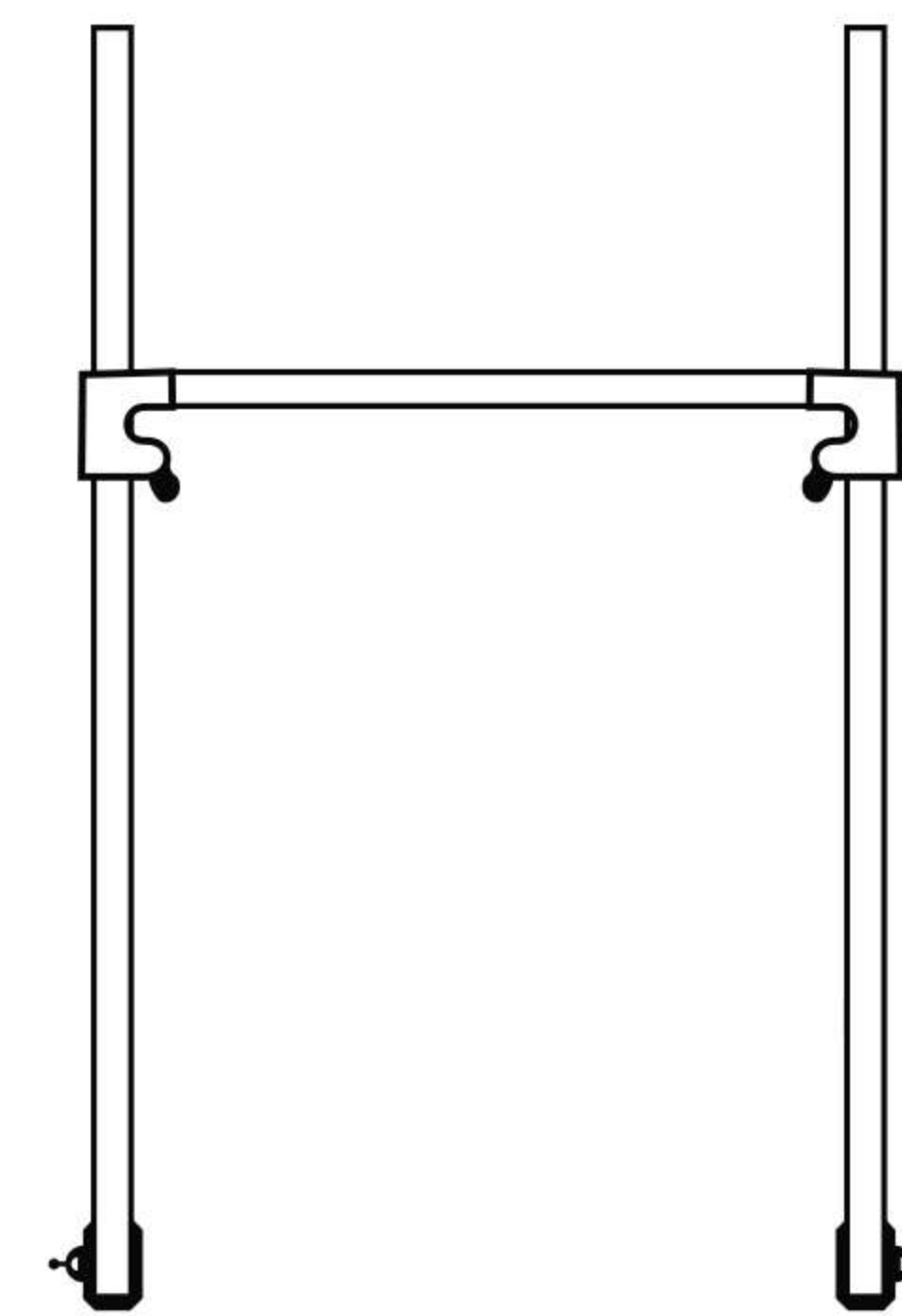
GKS APS Units are manufactured to convenient standard sizes that are usable for a wide range of applications. Non standard sizes as well as APS Units made out of 'C' class pipes can be offered on request.



Heights : 2000, 1830, 1500 & 1000 mm.
Widths : 915, 1220, 1530 & 1830 mm.

GKS APS UNITS (Horizontal)		GKS APS UNITS (Vertical)	
Product Code	Size (mm)	Product Code	Size (mm)
APS01	915	APS05	2000
APS02	1220	APS06	1830
APS03	1530	APS07	1500
APS04	2000	APS08	1000

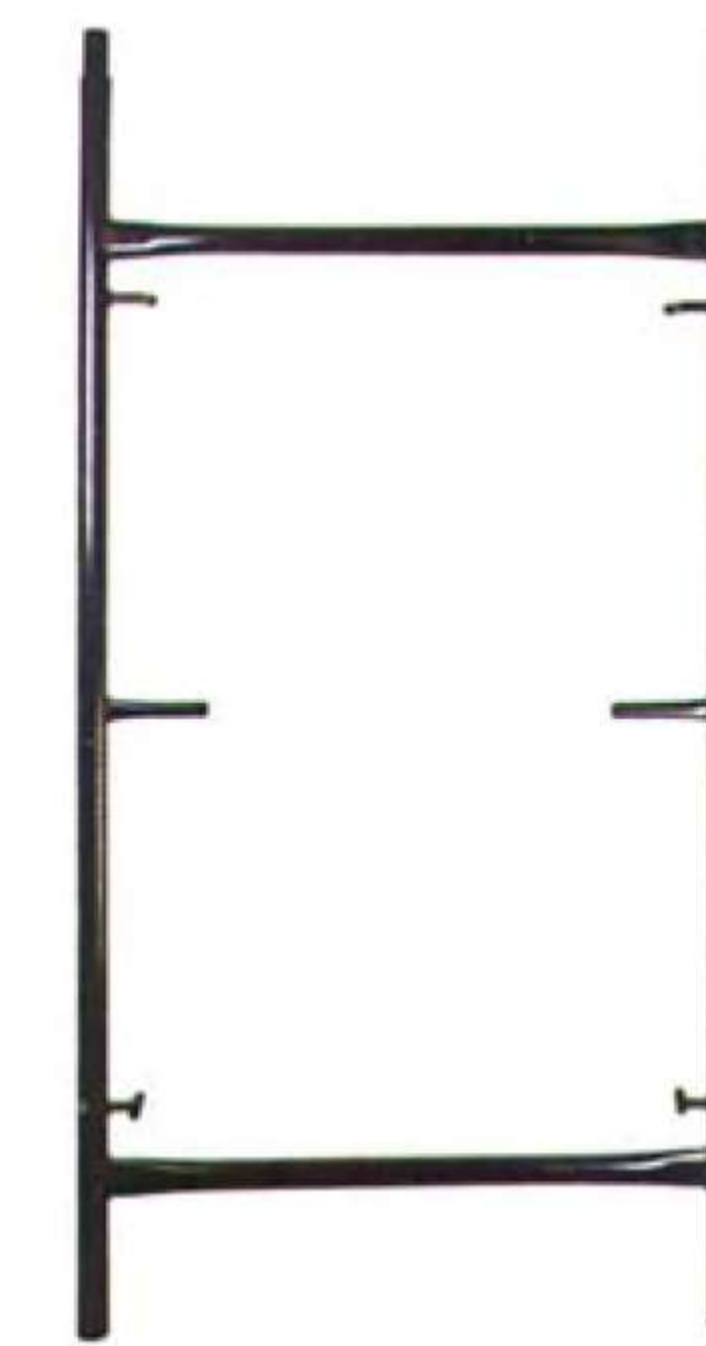
- No loose parts
- Individual components making it easy for transportation and storage
- Handy, hence easy for erection at great heights
- Ideal for use as access scaffolding
- Ideal for slab support staging since the system allows any desired spacing of units



GKS H-Frame Scaffolding (Heavy / Medium Duty)

GKS Heavy Duty H-frame scaffolds are made up of rigidly welded frames consisting of two verticals & two horizontals. The frames are interconnected by scissor type cross-braces, which are secured to the H-frames by specially designed pins, welded onto the frames and locked in position.

Standard GKS heavy duty H- frames are made out of Dia. 50 NB & Dia. 40 NB 'C' class OR 'B' class pipes that are suitable for a wide range of heavy duty load bearing applications.



H-Frame (Heavy Duty)



Cross Braces



Brace Lock Pin

- Excellent rigidity due to welded construction & cross-bracings
- No tools required for erection
- Quick & easy to erect. Erection can be done even by unskilled labour
- Ideal for use as access scaffolding & support staging for heavy structures, high slabs, bridge girders etc.

Product Code	Size (mm)	
	Height	Width
HFH01	2000	1000
HFH02	2000	1220
HFH03	2000	1530
HFH04	1500	1000
HFH05	1500	1220
HFH06	1500	1530
HFH07	1000	1000
HFH08	1000	1220
HFH09	1000	1530

*Other sizes can be offered on request

GKS H-Frame Scaffolding (Light Duty)

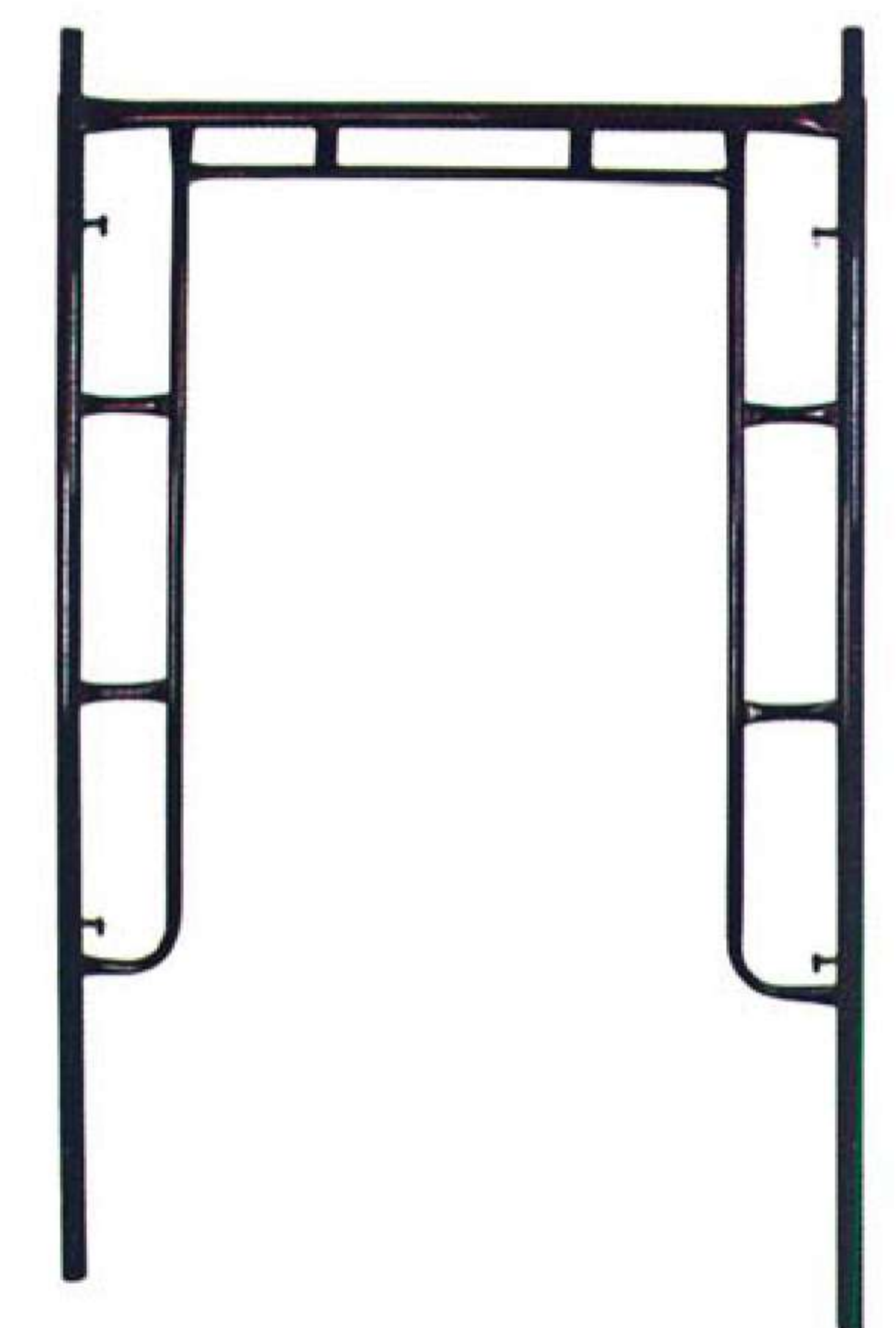
GKS Light Duty H-frame scaffolds are provided with special lattices to enable safe & easy access for workers and are best suited for access scaffolding applications. The frames are interconnected by scissor type cross-braces, which are secured to the H- frames by specially designed pins, welded onto the frames and locked in position.

Standard GKS Light Duty 'H' frames are manufactured out of 32 NB 'A' Class pipes for the main frame and 20 NB 'A' Class pipes for the lattice.

- Excellent rigidity due to welded construction & cross-bracings
- No tools required for erection.
- Quick & easy to erect. Erection can be done even by unskilled labour
- Excellent for use as scaffold tower around concrete hoist
- Ideal for use as access scaffolding

Product Code	Size (mm)	
	Height	Width
HFH01	2000	1000
HFH02	2000	1220

*Other sizes can be offered on request



H-Frame (Light Duty)

GKS Cuplock Scaffolding

GKS Cuplock scaffold systems consist of vertical standards and horizontal ledgers that are interconnected by a unique nodal point clamping method. GKS Cuplock scaffolds are extremely easy to erect and are equally suitable for both access and load bearing applications.

GKS horizontal ledgers and vertical standards are made out of Dia. 40 NB 'B' class pipes. Bottom Cups are welded at 500 mm centers with the first cup welded at 250 mm from the base of the pipe. Alternate specifications can be offered on request.

- Easy to maintain
- Quick & easy to erect. Erection can be done even by unskilled labour
- Faster erection time than traditional scaffolds
- High resistance to wear & tear
- Suitable for straight, curved & circular configuration
- Excellent for use as access scaffolding & slab support staging



Horizontal Ledger



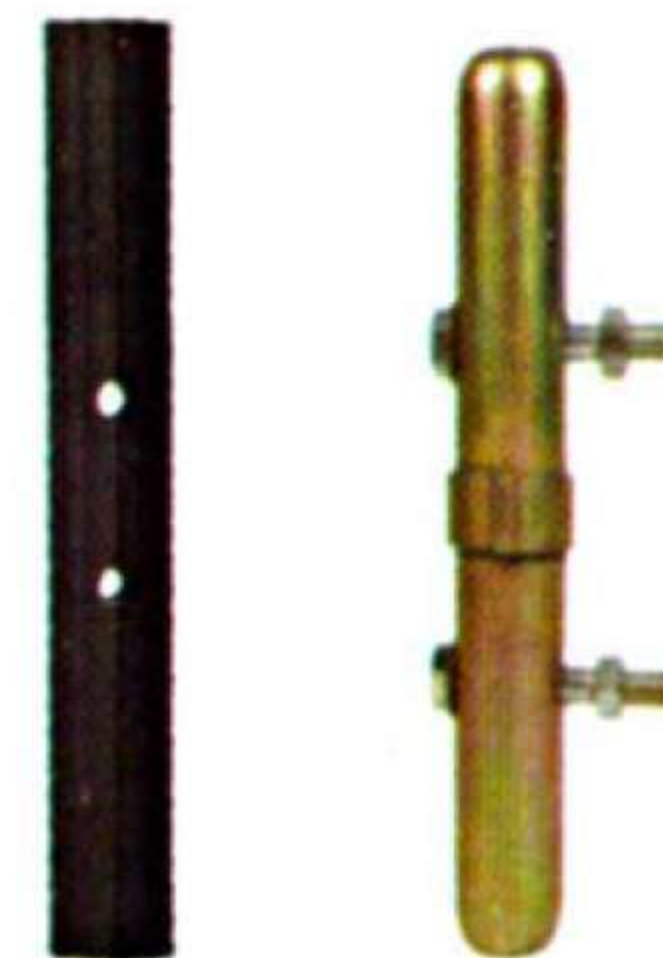
Ledger Blade



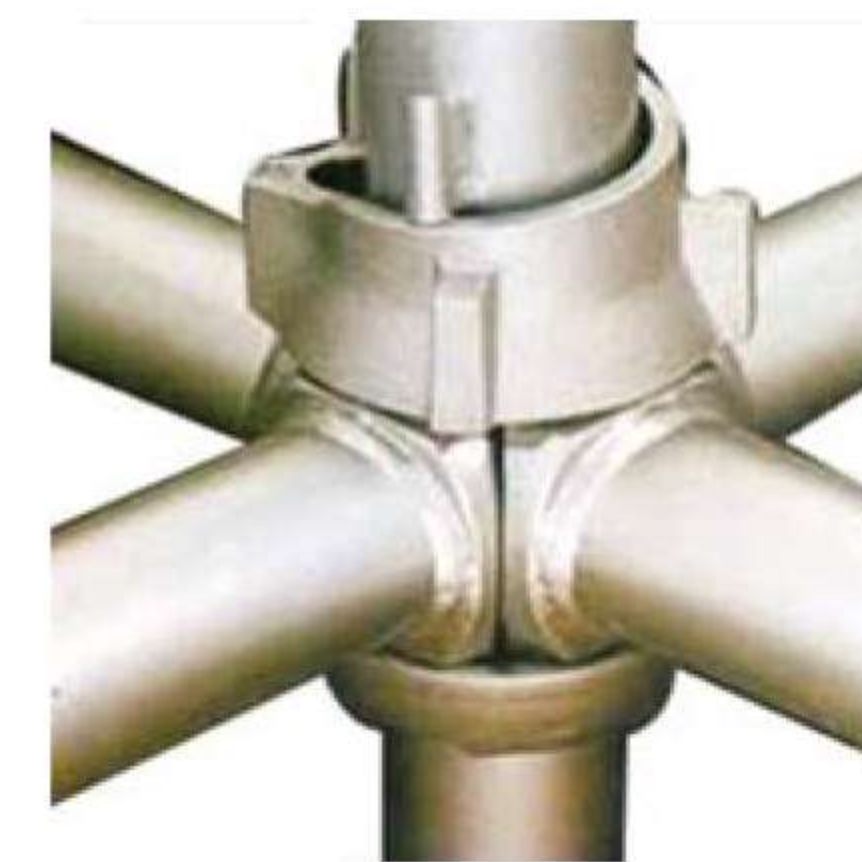
Bottom Cup



Top Cup



Spigot (Connecting Pin)



Cuplock Scaffolding Joint

Cuplock Horizontal Ledgers		
Product Code	Size (mm)	Weight (kg)
CH01	1000	3.80
CH02	1200	4.60
CH03	1500	5.50
CH04	1800	6.80
CH05	2000	7.25
CH06	2250	8.30

*Other sizes can be offered on request

Cuplock Vertical Standards		
Product Code	Size (mm)	Weight (kg)
CV01	500	2.40
CV02	1000	4.80
CV03	1500	7.20
CV04	2000	9.50
CV05	2500	12.10
CV06	3000	14.50

*Other sizes can be offered on request

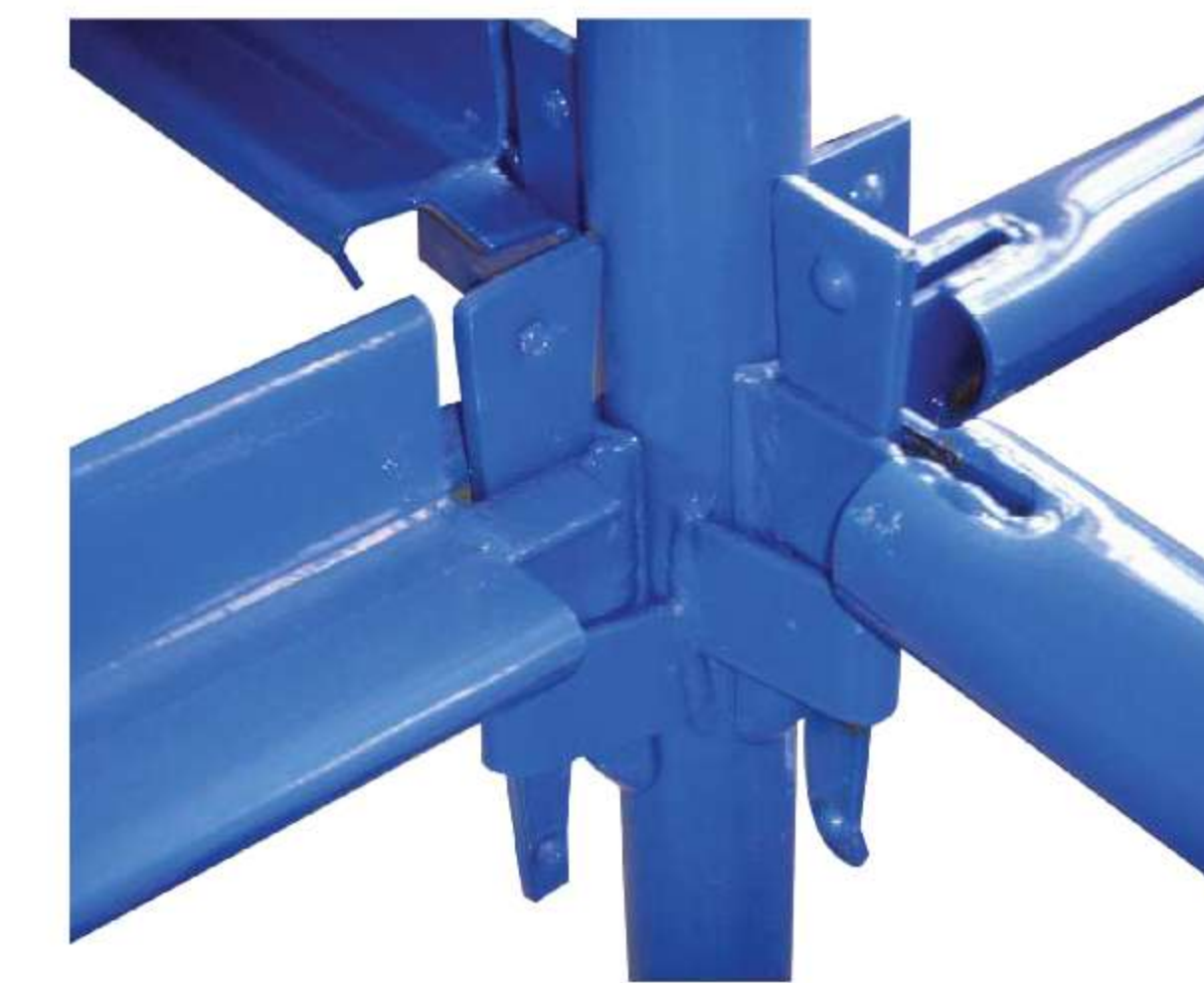


Vertical Standard

GKS Kwikstage Scaffolding

GKS Kwikstage scaffold systems consist of vertical standards and horizontal ledgers / transoms that are interconnected by a unique cast-wedge fixing method. GKS Kwikstage scaffolds are extremely user-friendly and are equally suitable for both access and load bearing applications. "V" presses are welded onto the vertical standards at every 500 mm centers.

- No loose parts
- Easy to maintain
- Quick & easy to erect. Erection can be done even by unskilled labour
- Faster erection time than traditional scaffolds
- High resistance to wear & tear

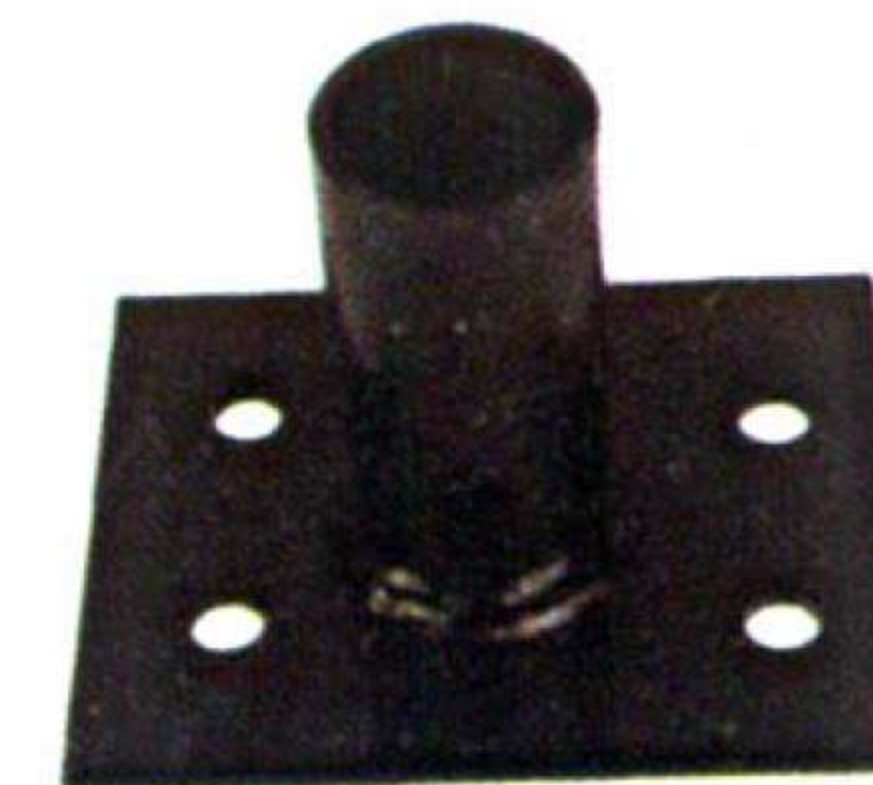


Kwikstage Ledgers (Horizontal)	
Product Code	Size (mm)
KL01	1200
KL02	1800
KL03	2400

Kwikstage Transoms (Horizontal)	
Product Code	Size (mm)
KT01	1200
KT02	1800
KT03	2400

Kwikstage Standards (Vertical)	
Product Code	Size (mm)
KV01	1000
KV02	1500
KV03	2000
KV04	2500
KV05	3000

Scaffolding Accessories



Fixed Base Plate



Adjustable Base Plate



Adjustable Stirrup Head



Adjustable 4-Way Head

Scaffolding Accessories



Jack Nut



Expanding Joint Pin



Forged Double Coupler



Forged Swivel Coupler



Sheet Metal Double Coupler



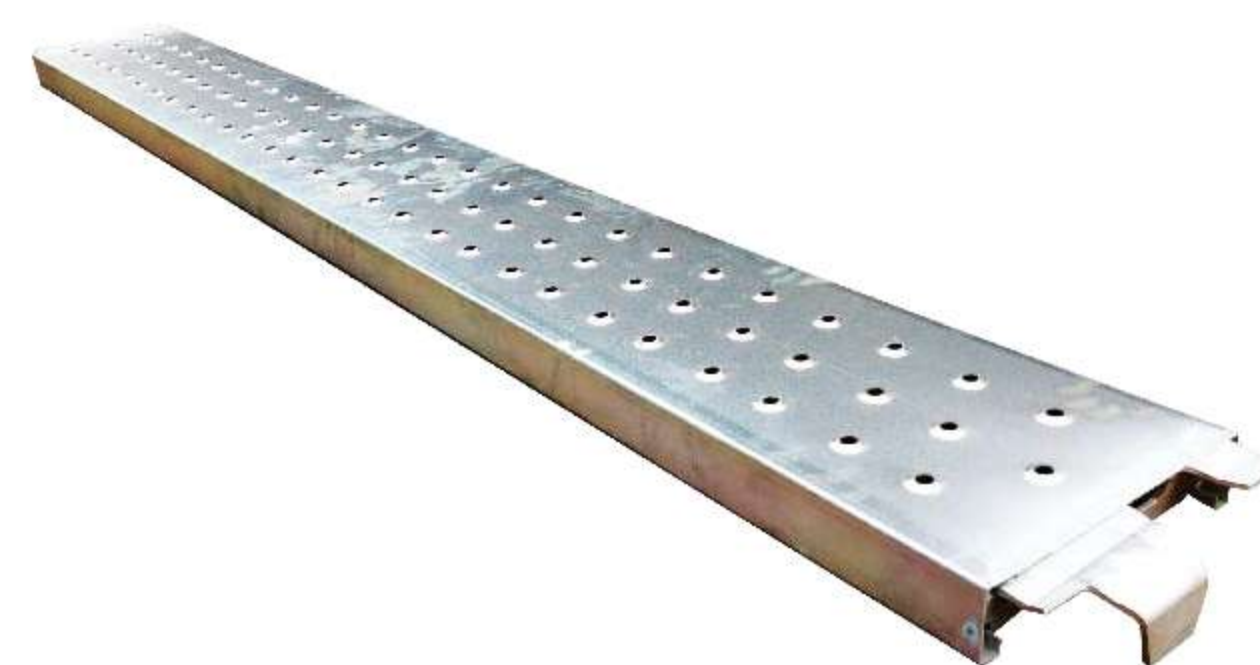
Sheet Metal Swivel Coupler



Propex
(Telescopic member that can be clamped onto scaffold units to achieve necessary height adjustments)



Walkway Jalli
(Manufactured using MS square pipes)

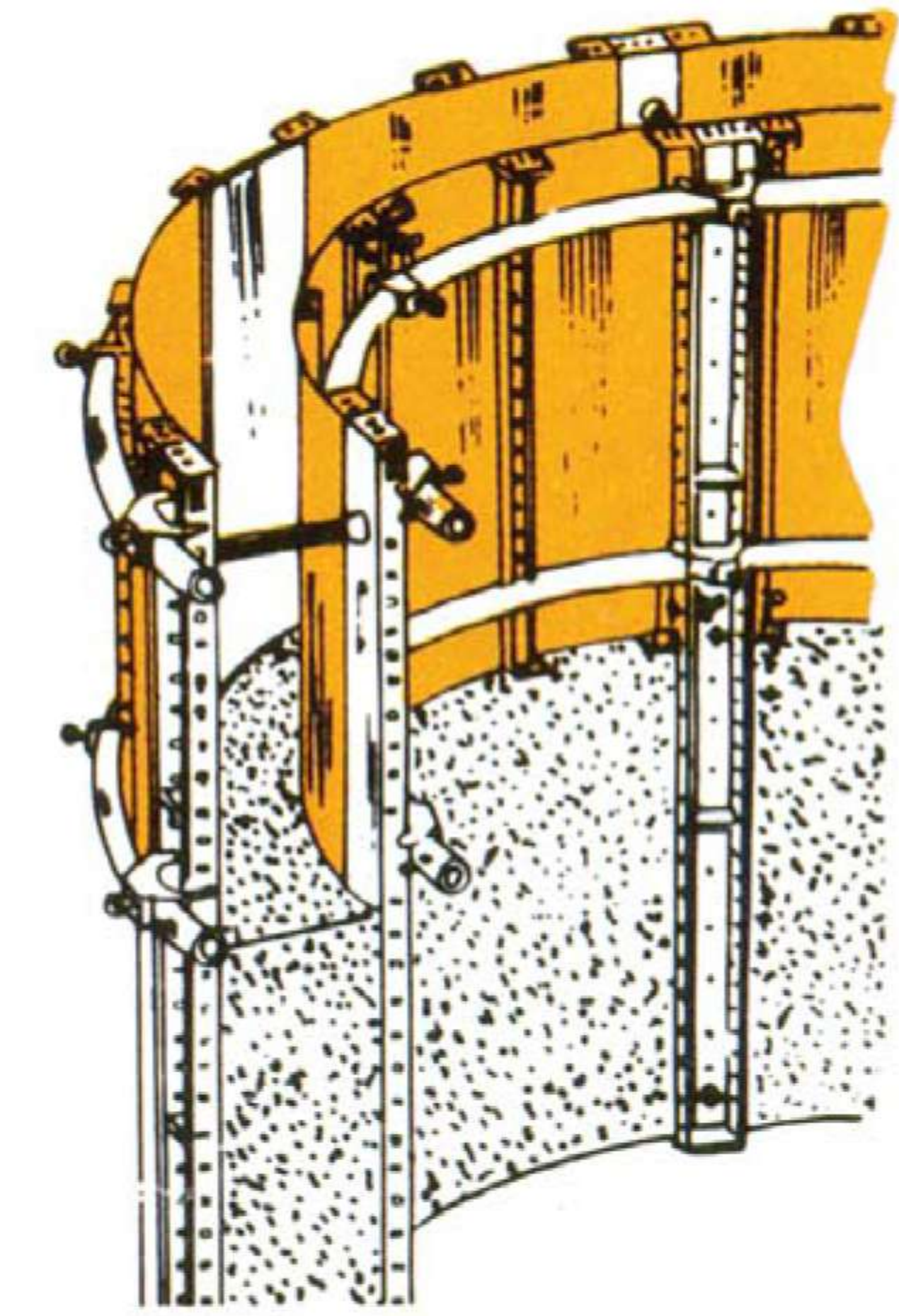
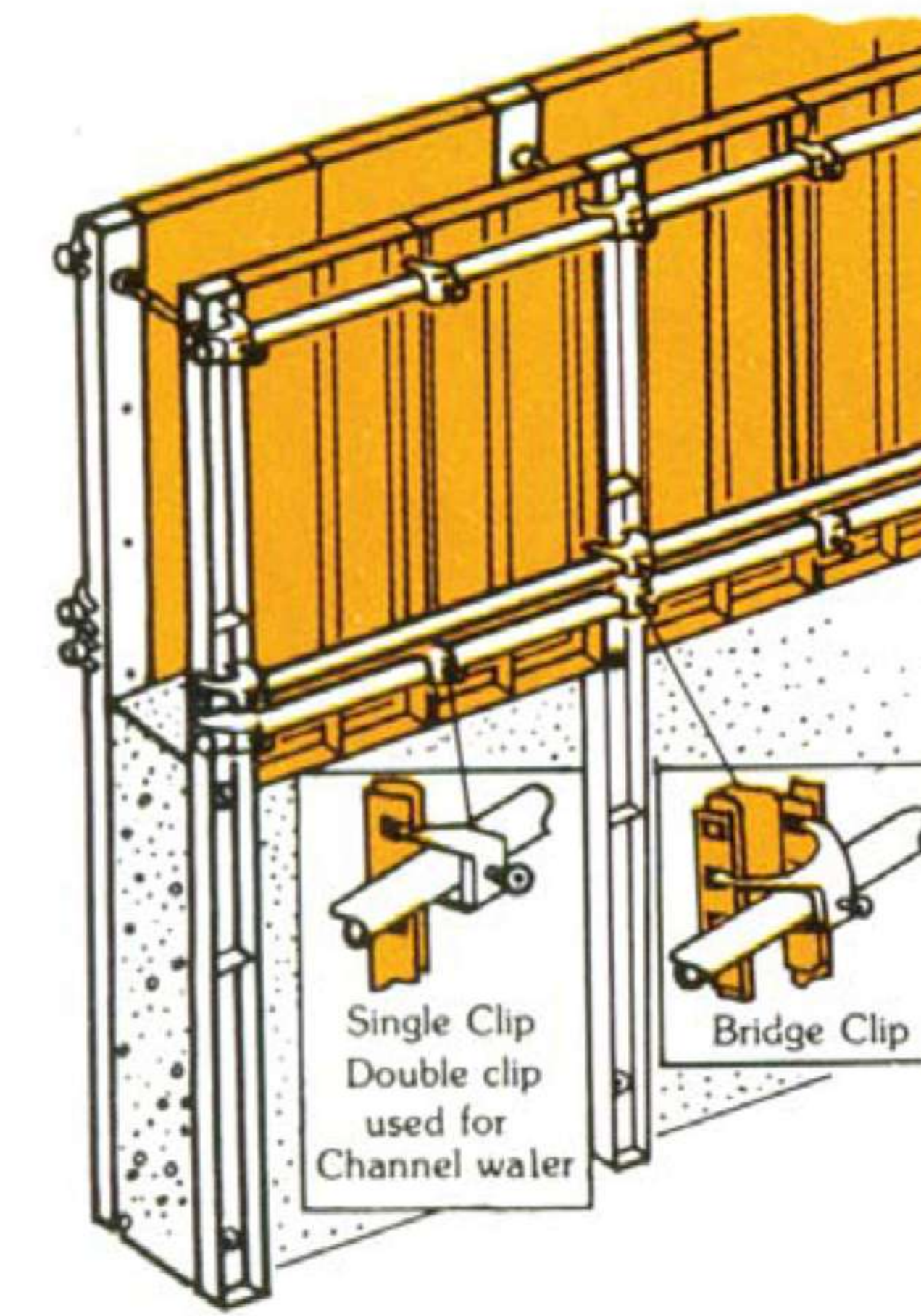


Anti-skid Walkway Platform
(Hook type – manufactured using GI sheet)



Scaffold Ladder Tower

GKS Wall-Form Panels



The GKS system of Wall-Form Shuttering provides the end-user with the highest degree of cost to benefit while ensuring an excellent concrete finish. Our Wall-Form systems can be used for the construction of RCC Walls, Columns, Beams, Floors, Culverts, Docks & Precast units.

GKS Wall-Form Shuttering systems consist of Standard Panels, Channels or Heavy Duty Soldiers, Pipes or Channel Walers. All these components are assembled together by four types of specially designed clips.

Our Wall Form Panels & Soldiers are manufactured out of MS Slotted Angles of 45x45x5 mm and 12 SWG (2.5 mm thk) MS Sheets to make them rigid & strong.

In cases where Wall-Form Shuttering is required to achieve a curved profile, GKS flexible Wall-Forms are the best option.

The Waler Tubes are bent to suit the curvature of the specified profile. GKS Flexible Panels match this curvature when connected to the waler tubes by Single Clips.

GKS Double Adjustable Panels / Splines are the ideal solution when it comes to filling up of any gaps between Flexible / Standard Panels. GKS Splines can be used to fill gaps in both straight wall / curved wall construction.

GKS Standard Wall-form Panels			
Product Code	Height (mm)	Width (mm)	Width (kg)
WF001	1250	600	29.50
WF002	1250	500	27.00
WF003	1250	450	25.75
WF004	1250	400	24.50
WF005	1250	300	22.00
WF006	1250	250	15.00

GKS Flexible Wallform Panels			
Product Code	Height (mm)	Width (mm)	Width (kg)
WFF01	1250	500	26.00
WFF02	1250	450	24.50

GKS Prop Struts



Wall formwork supported by Prop Struts



Single armed Prop Strut



Double armed Prop Strut

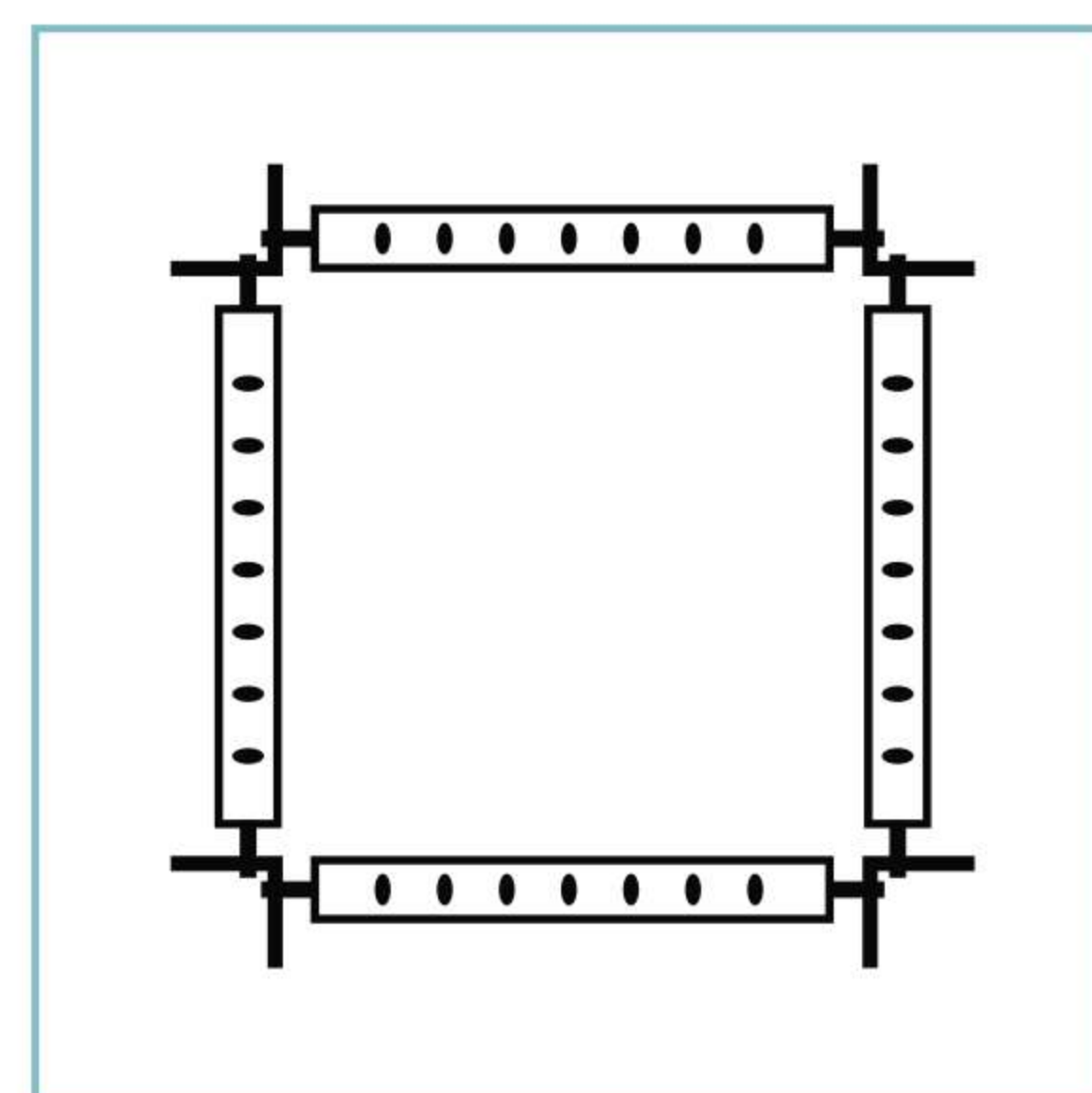
GKS Adjustable Column Shuttering Moulds

GKS Adjustable column shuttering moulds are manufactured in three different designs.

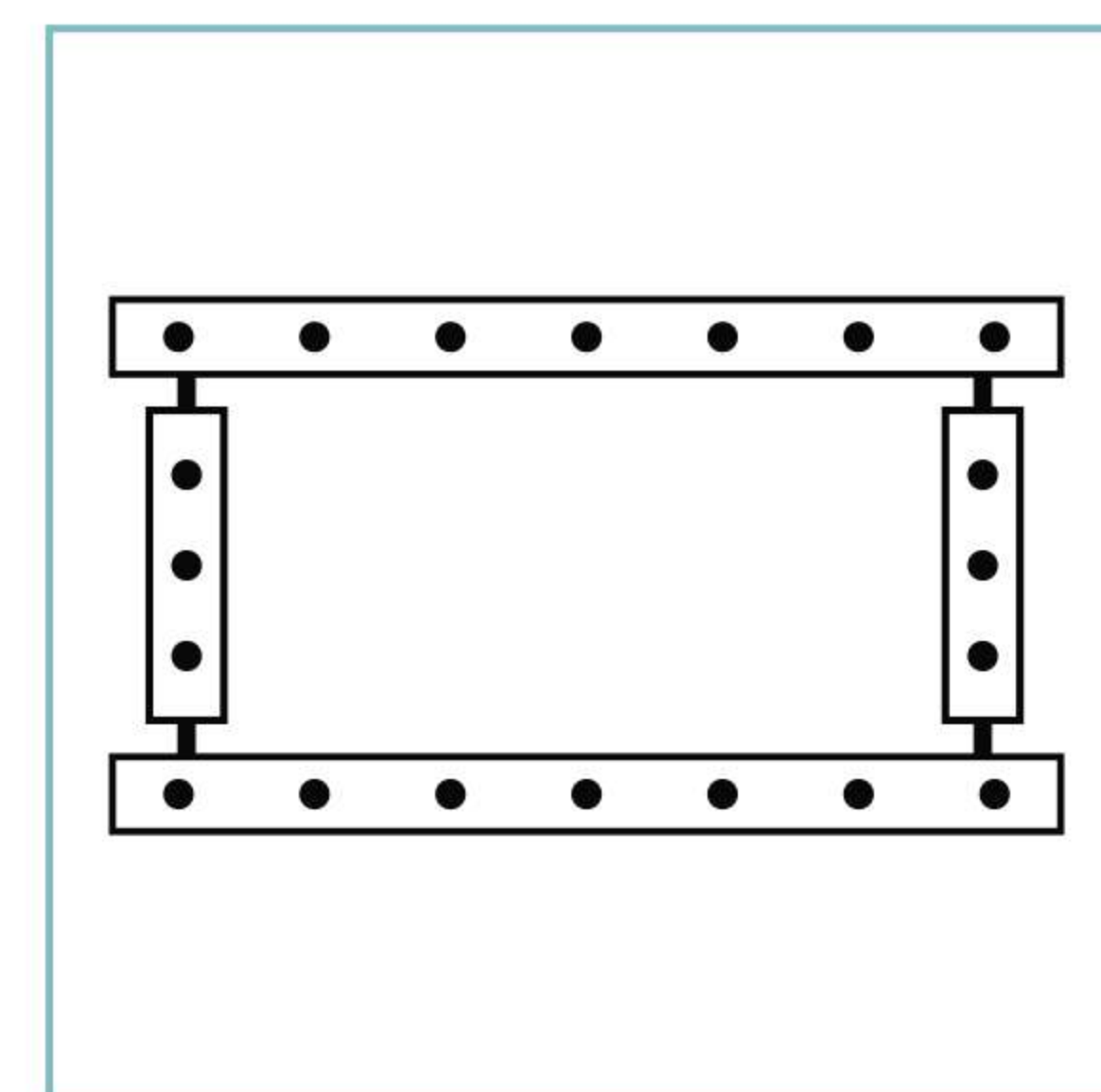
- a) Fixed
- b) Semi adjustable
- c) Fully adjustable

Best suited design will be offered on enquiry depending on size and shape of the column. For large sized columns, steel column clamps are recommended. More details can be offered on request.

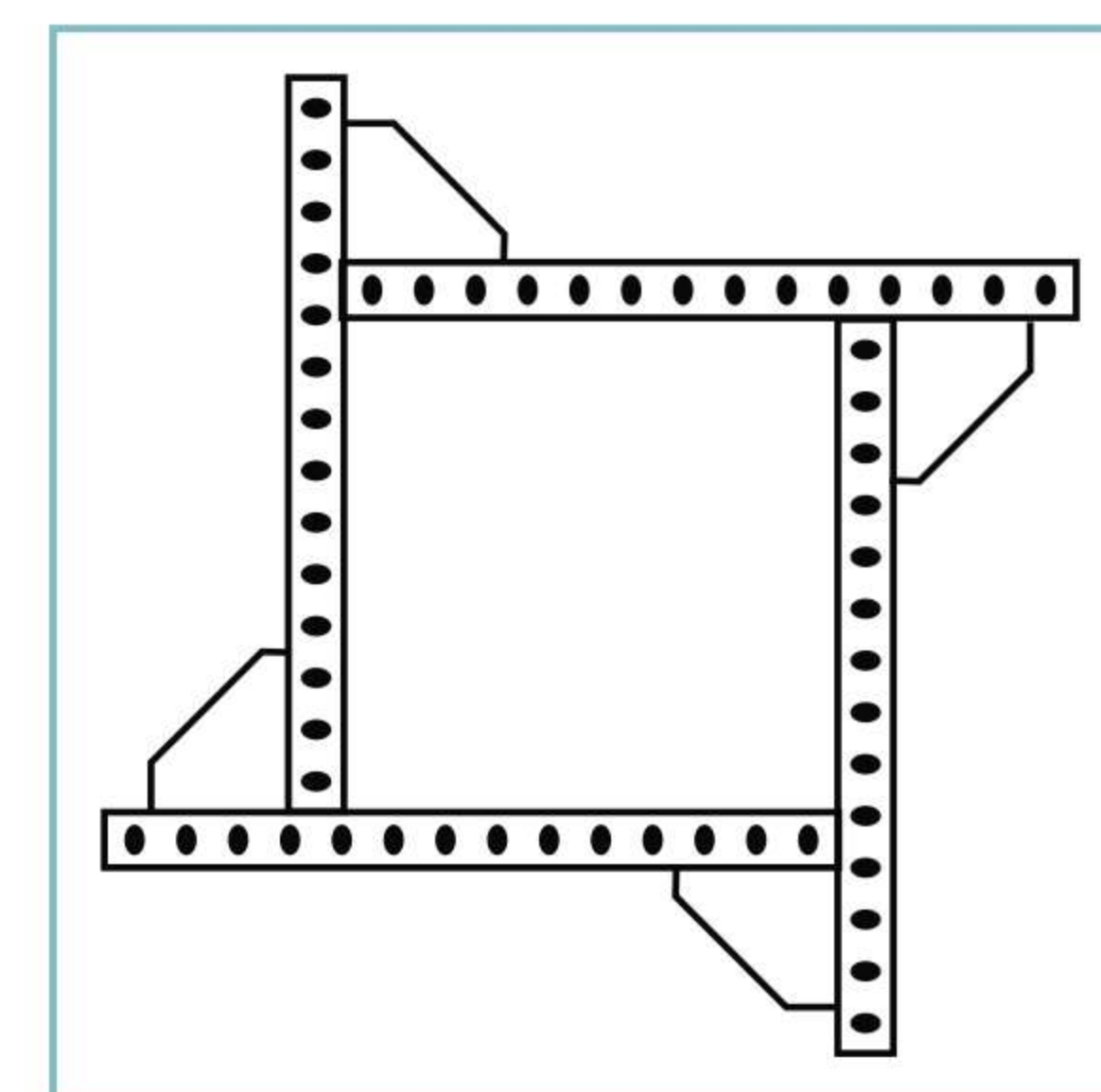
- Adaptable to various column sizes
- Speedy erection and dismantling
- Saves labour costs and time
- Ensures squareness and rigidity
- Excellent surface finish



Fixed



Semi-Adjustable



Fully Adjustable

GKS Shuttering System Components & Accessories	
Product Code	Item
SA001	100 mm Heavy Duty Soldier
SA002	100 mm Channel Soldier
SA003	Bridge Clip
SA004	Double Clip
SA005	Single Clip

GKS Shuttering System Components & Accessories	
Product Code	Item
SA006	Clip & Wedge
SA007	Internal Corner Panel
SA008	Splay Panel
SA009	External Corner Angle
SA010	Double Adjuster Panel (Spline)

Shuttering Accessories



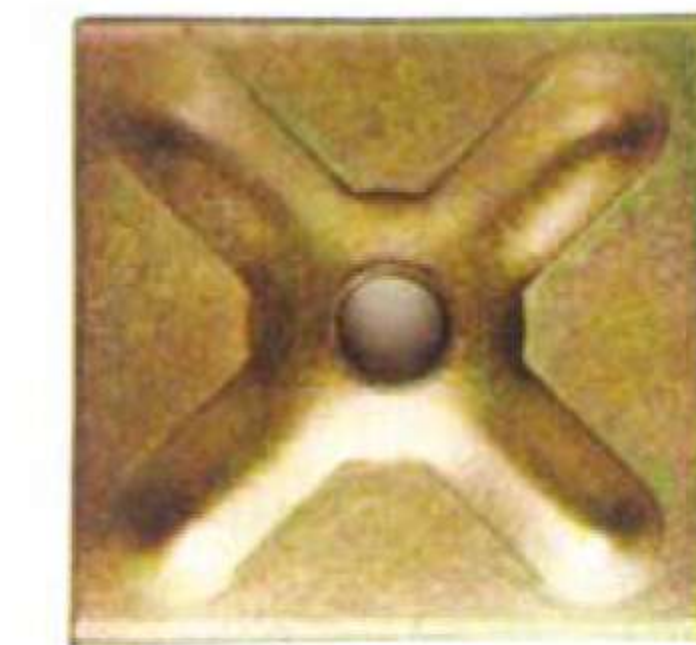
Tie Bar System



Tie Rod



Wing Nut



Waller Plate



Water Stopper



Plastic Adaptor



Shuttering Clamp